



FENCE & DECK DEPOT
 www.fencedepotco.com
 (636)441-7374
 (618)235-1190

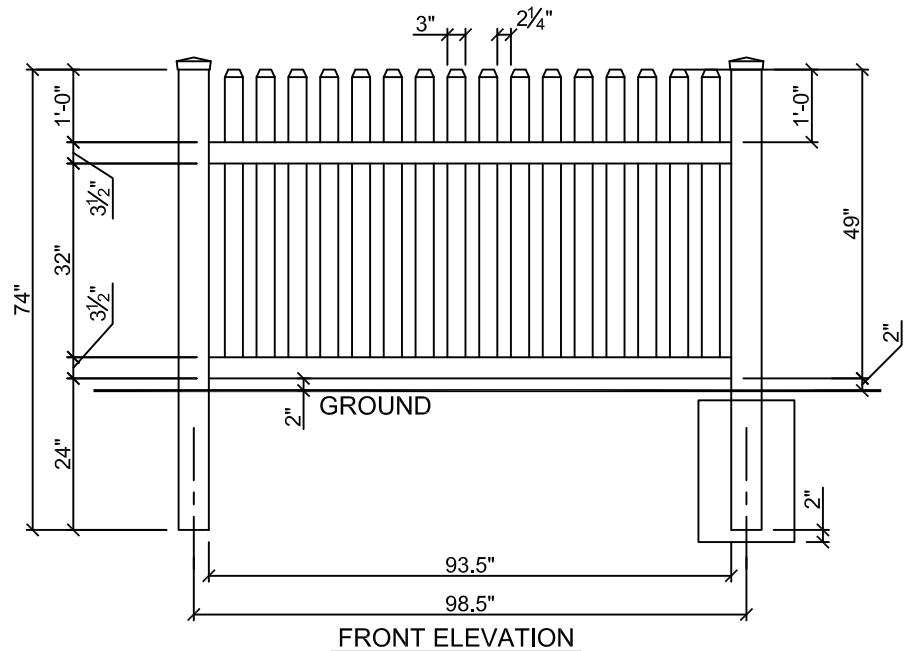
NEW ENGLAND VINYL FENCE (48")

POST CAP MODEL

 FRENCH GOTHIC

 NEW ENGLAND

 FLAT



NOTES:

1. PICKET SPACE MAY CHANGE DEPENDING ON SALES ORDER.
2. GLUE ALL CAPS INTO PLACE. (BOTH POST & PICKETS)
3. CRIMP ALL RAILS.
4. CRIMP BOTTOM OF EACH PICKET.